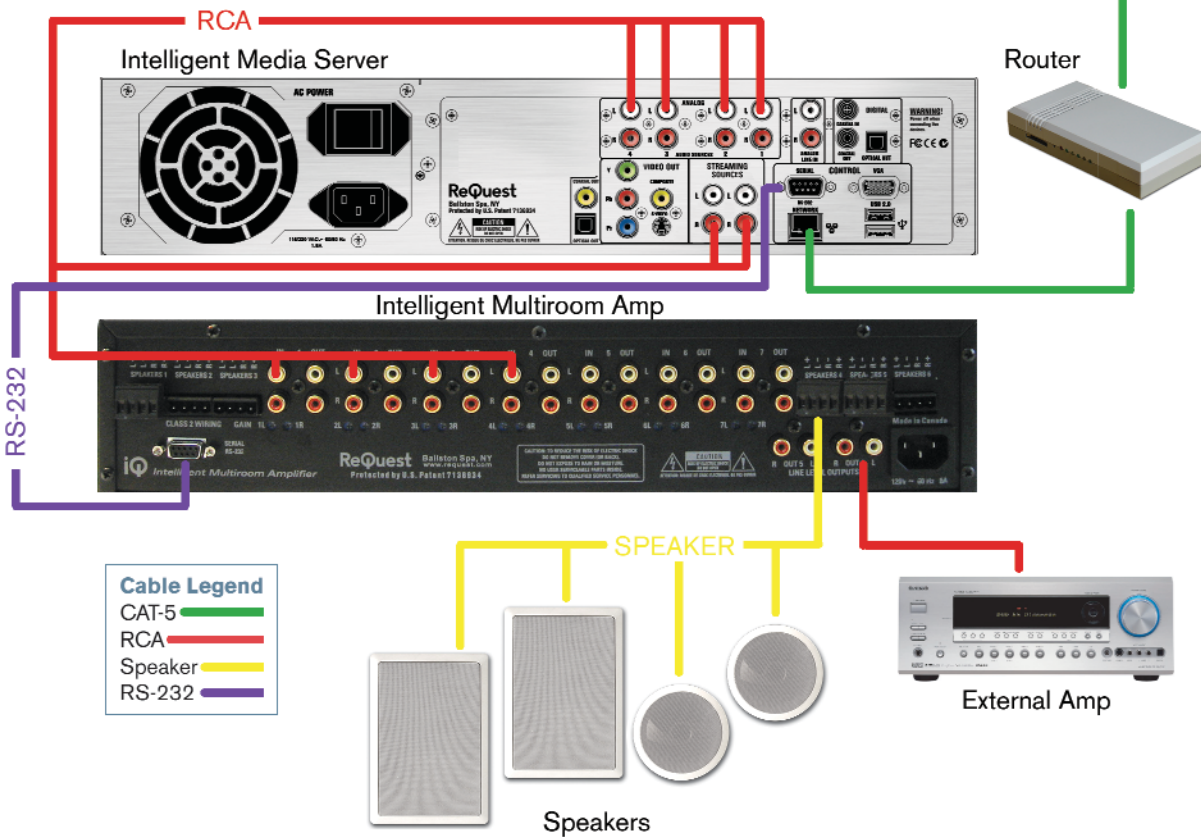
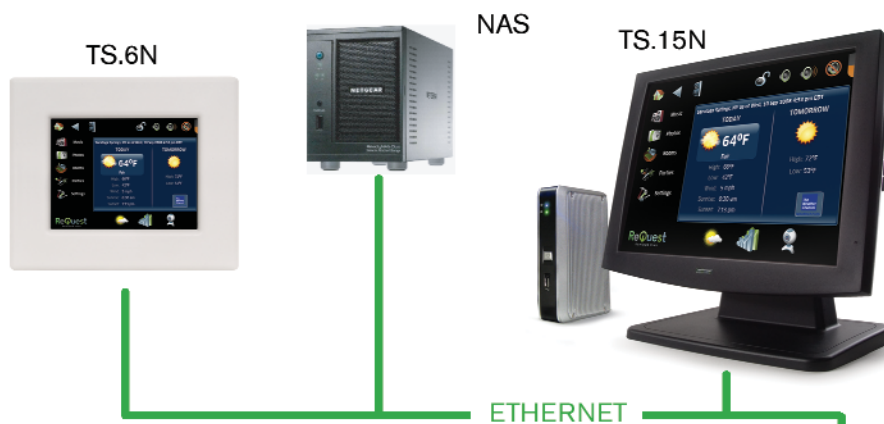
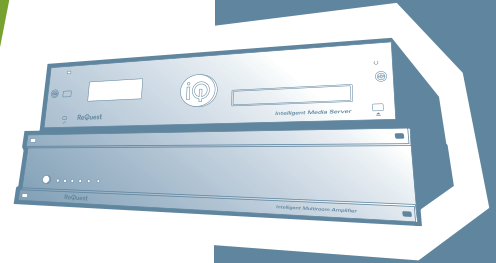


Wiring Instructions for the
iQ Multiroom
 Audio Distribution System

ReQuest
 SERIOUS PLAY



iQ Connection Diagram



Cable Legend

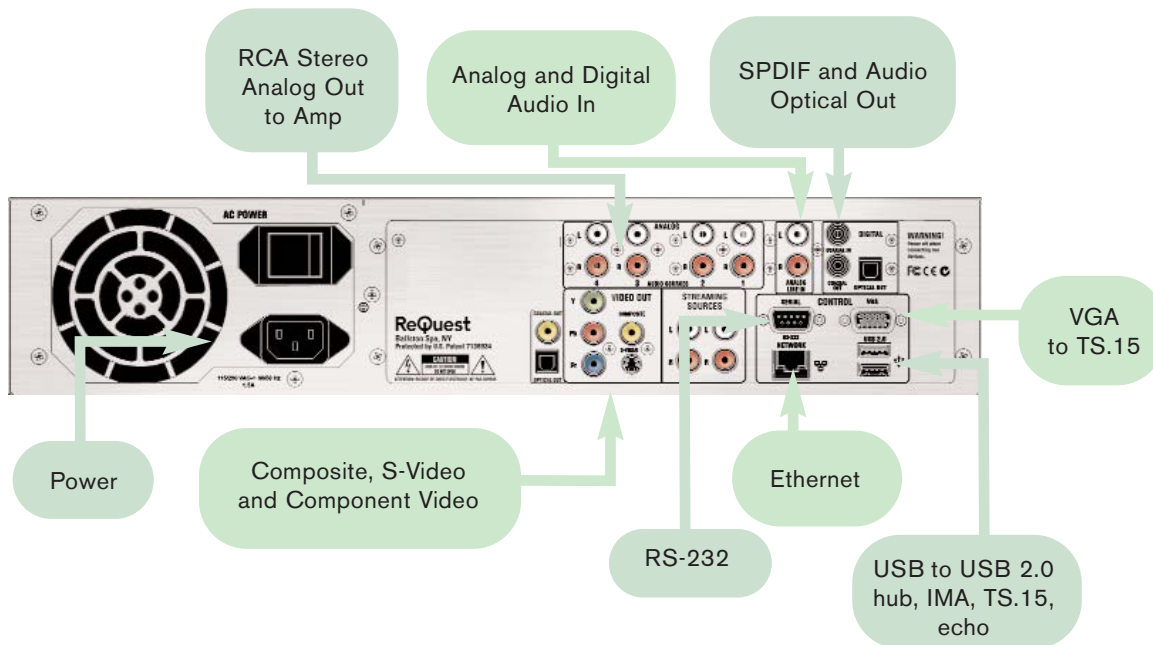
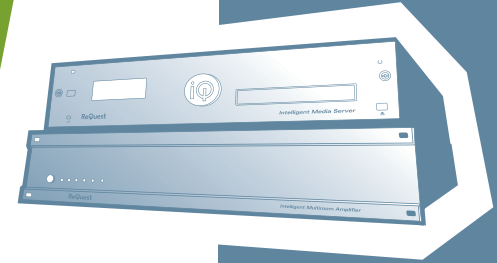
CAT-5	Green
RCA	Red
Speaker	Yellow
RS-232	Purple

© 2010 ReQuest Inc.
 100 Saratoga Village Blvd
 Suite 45
 Ballston Spa, NY 12020

www.request.com/support
 1-800-236-2812



iQ Intelligent Media Server



Required Connections

Power - 110/220V Power

Ethernet - Connect to the home network/router with Internet Connection

Audio - 4 pairs of RCA stereo analog out. Connect to the IMA6 Source Inputs 1-4. Connect streaming outputs to IMA6 Source Inputs 5-6.

USB - Used to connect to TS.15, echo, and other devices. If all ports are used, please use a standard USB 2.0 hub to add more.

RS-232 - Connect to IMA6 for control

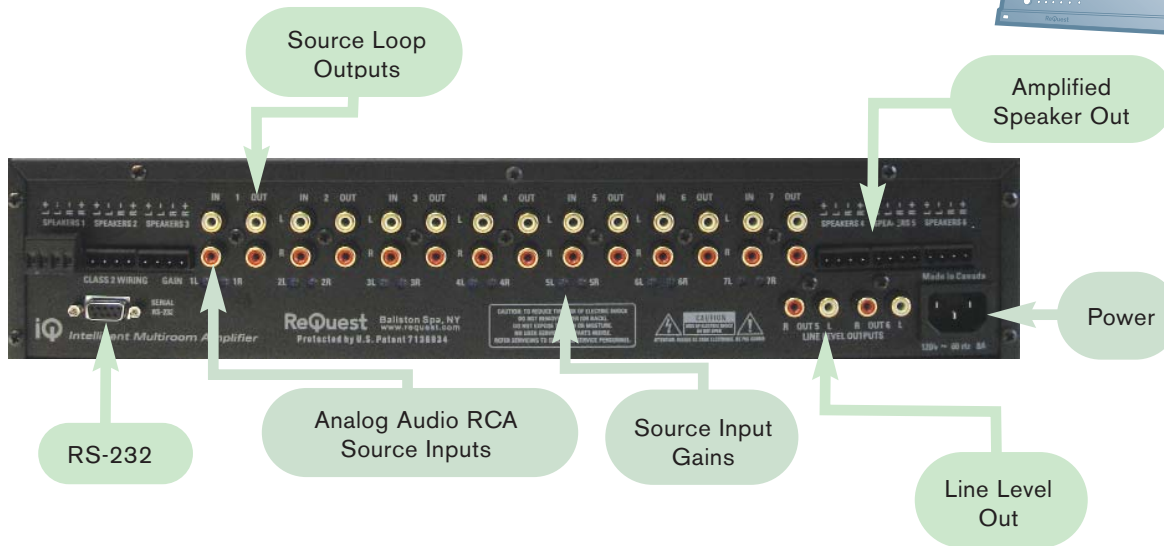
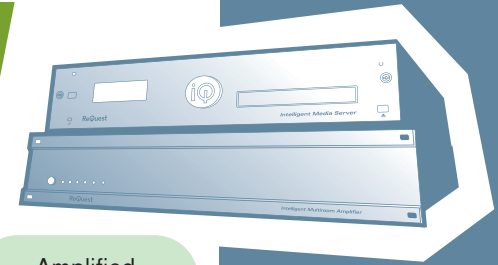
Optional Connections

VGA and USB to TS.15 Touch Screen - If all USB ports the IMS are used, add a USB 2.0 Hub

TV Connections - For future use. TV-Out will display touch screen interface. Note: You can choose either TV-Out or TS.15 Touchscreen video out, but not both.



iQ Intelligent Multiroom Amplifier



Required Connections

Power - 110V (220V units available for international purchase) Power

RS-232 - Connect to IMS or connect to iQ.SCK for multiple IMA6s

Analog Audio RCA Source Inputs - Connect all the source inputs here.

Source Input Gains - Trims the volume level for each of the source inputs. Factory settings are intentionally set low.

Amplified Speaker Out - 50W/channel - 100W Peak. Use high quality speaker cables to speakers throughout the home.

Optional Connections

Source Loop Outputs - These are direct pass throughs of the source inputs. (Used for extending to additional IMA for more zones or to a Home Theater receiver).

Line Level Out - Outputs a variable signal for use with 3rd party amplifiers and systems. Can be configured in the iQ web control panel (iQ Config > Devices) to put out a fixed level signal.

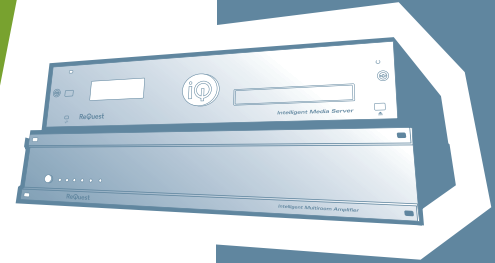


Special Note:
Do NOT cover top vents.
Leave a 1RU Space
above. Put in cool, well
ventilated area.



Notes on Amplifier

- When designing rack system, be sure to allow for a 1RU Space above each IMA for heat dissipation.
- Source Input Gains - Trims the volume level for each of the source inputs. Factory settings are intentionally set low.



Intelligent Multiroom Amplifier Specifications

ELECTRICAL SPECIFICATIONS

- Frequency Response: 10 Hz - 40 Hz +/- 1dB (1w)
- THD+N: Less than 0.1% 20 Hz to 20 Hz
- IMD+N: Less than 0.01% 60 Hz to 7 Hz 4:1 (SMPTE)
- Input Impedence: 50k ohms
- S/N Ratio: Over 105 dB A weighted (50 watts)
- Power: 750 watts at 117 VAC or 230 VAC

HARDWARE SPECIFICATIONS

- 7 analog stereo source inputs
- 7 buffered stereo outputs for pass through
- 50 watts per channel amplified outputs, 100 watts peak
- Removable screw terminal outputs accepts 12-20 gauge wire
- Built in thermostat keeps fan noise to a minimum
- RS232 interface
- Dimensions: 17" (W) x 11.5" (D) x 3.5" (H)
- Weight: 22 lbs. (10 kg)
- Finish: black chassis with black metal faceplate



IMPORTANT SAFETY WARNINGS



TO REDUCE RISK OF ELECTRICAL SHOCK,
DO NOT REMOVE COVER. NO USER-
SERVICEABLE PARTS INSIDE. REFER SERVICING
TO QUALIFIED SERVICE PERSONNEL.



The lightning flash with arrowhead symbol, within an equilateral triangle, is intended to alert the user to the presence of uninsulated dangerous voltage within the product's enclosure that may be of sufficient magnitude to constitute a risk of electric shock to persons.

Warning: To reduce the risk of fire or electric shock, do not expose this apparatus to rain or moisture



The exclamation point within an equilateral triangle is intended to alert the user to the presence of important operating and maintenance (servicing) instructions in the literature accompanying the appliance.

1. Read, keep and follow these instructions.
2. Do not use this device near water.
3. Device shall not be exposed to dripping or splashing, and no objects filled with liquids shall be placed on the apparatus.
4. Clean only with a dry cloth.
5. Do not block any ventilation openings. Install according to the manufacturer's instructions.
6. Do not install near any heat sources such as radiators, heat registers, stoves, or other device (including amplifiers) that produce heat.
7. Do not defeat the safety purpose of the polarized or ground plug. If the provided plug does not fit into your outlet, consult an electrician regarding installation of a modern polarized outlet.
8. Protect the power cord from being walked on or pinched.
9. Only use attachments/accessories specified by the manufacturer.
10. Protect this device through the use of proper UPS or surge protection equipment.
11. Refer all servicing to qualified service personnel.